

RESOLUTION NO. 2023-294

A RESOLUTION AUTHORIZING THE PURCHASE OF MOTOR VEHICLES FROM NATIONAL AUTO FLEET GROUP, WATSONVILLE, CA, IN AN AGGREGATE AMOUNT NOT TO EXCEED \$248,226.87, PURSUANT TO A NATIONAL COOPERATIVE PRICING AGREEMENT WITH SOURCEWELL.

WHEREAS, the City of Vineland is in need of motor vehicles; and

WHEREAS, the City of Vineland is a member of a National Cooperative Pricing Agreement known as Sourcewell; and

WHEREAS, Sourcewell, the National Cooperative Purchasing Program has acted as lead agency and awarded Contract #091521-NAF, for the purchase of motor vehicles; and

WHEREAS, N.J.S.A. 52:34-6.2 permits the City of Vineland to purchase vehicles using the offered National Cooperative Pricing Agreement without public bidding, subject to the submittal and acceptance of certain documentation by National Auto Fleet Group; and

WHEREAS, the City of Vineland intends under Sourcewell, under the Category: Cars, Trucks, Vans, SUVs, Cab Chassis and Other Vehicles, Contract #091521-NAF, to purchase from National Auto Fleet Group, Watsonville, CA the following motor vehicles for the designated City of Vineland Departments and Divisions, in the not-to-exceed amounts, as listed in the Quotations, made through Sourcewell;

Municipal Utilities/Generation:

One 2024 Chevy Silverado 2500HD 4WD Crew Cab Work Truck with UB Up Fit, not to exceed \$72,156.87

Fire Department:

One 2023 1075 Recon Truck Body Cab, not to exceed \$176,070.00

WHEREAS, the Department and Division Directors and Supervisors and the Qualified Purchasing Agent, with the concurrence of the Business Administrator, recommend the use of the National Cooperative Pricing through Sourcewell for this procurement; and

WHEREAS, the City of Vineland Purchasing Agent has determined that the use of the offered National Cooperative Pricing Agreement will result in cost savings after all factors, including charges for service, material and delivery have been considered and has verified that such vehicle(s) is/are not available through State Contract awarded by the Division of Purchase and Property in the New Jersey Department of the Treasury, pursuant to N.J.S.A. 40A:11-12; and

WHEREAS, the availability of funds for said purchase to be awarded herein has been certified by the Chief Financial Officer; and

WHEREAS, the City of Vineland has certified that this meets the statute and regulations governing the award of said contracts;

NOW, THEREFORE, BE IT RESOLVED BY THE COUNCIL OF THE CITY OF VINELAND, that the Purchasing Agent is authorized to prepare purchase orders to procure the motor vehicles listed above, for an aggregate price not to exceed \$248,226.87.

BE IT FURTHER RESOLVED that the purchase order(s) shall contain a requirement that “the vendor shall maintain all documentation related to products, transactions or services under this contract for a period of five years from the date of final payment. Such records shall be made available to the New Jersey Office of the State Comptroller upon request.”

Adopted:

\_\_\_\_\_  
President of Council

ATTEST:

\_\_\_\_\_  
City Clerk

**REQUEST FOR RESOLUTION  
FOR COOPERATIVE CONTRACT AWARDS  
UNDER 40A:11-12, N.J.A.C. 5:34-7.29 & LFN 2012-10  
(REQUIRED FOR PURCHASES OVER \$17,500.00)**

6/5/23  
(DATE)



1. Goods or Services (detailed description): (1) NEW CHEVY 2500HD 4WD CREW CAB 172" W UB UP FIT FROM  
A&K QUOTE ID 24233R2 VMFLU-Gen

2. Amount to be Awarded: \$72,156.87

- Encumber Total Award  
 Encumber by Supplemental Release

3. Budgeted: By Ordinance No. \_\_\_\_\_  
Or Grant: Title & Year \_\_\_\_\_

4. \*\*Account Number to be Charged: 3-05-55-512-9001-52000-E392P

5. Contract Period (if applicable): \_\_\_\_\_

6. Date to be Awarded: 6/27/23

7. Recommended Vendor and Address: NATIONAL AUTO FLEET GROUP  
490 AUTO CENTER DRIVE, WATSONVILLE, CA, 95076

8. Justification for Vendor Recommendation:(attach add'l information for Council review)  
\_\_\_\_\_  
\_\_\_\_\_  
\_\_\_\_\_

Type of Contract:     State     National     Regional     County

Vendor's Cooperative Contract # SOURCE WELL CONTRACT #091521-NAF

9. Evaluation Performed by: JEFF CELEBRE

10. Approved by: *John Bellie* \_\_\_\_\_

Date

11. Attachments:  
 Awarding Proposal  
 Other: \_\_\_\_\_

- Send Original to: Purchasing Department
- Send copies to: Business Administration *for*

\*\*If more than one account #, provide break down



# National Auto Fleet Group

A Division of Chevrolet of Watsonville

490 Auto Center Drive, Watsonville, CA 95076

(855) 289-6572 • (831) 480-8497 Fax

Fleet@NationalAutoFleetGroup.com

6/1/2023

6/2/2023 Re-Configured

Quote ID: 24233 R2

Order Cut Off Date: TBA

Mr Jeffre Celebre  
City of Vineland

57 W. Park Ave.

Vineland, New Jersey, 08360

Dear Jeffre Celebre,

National Auto Fleet Group is pleased to quote the following vehicle(s) for your consideration.

**One (1) New/Unused (2024 Chevrolet Silverado 2500HD (CK20943) 4WD Crew Cab 172" Work Truck 8.2' Box, A&K Utility Body + Handling \$1900.00)** and delivered to your specified location, each for

	One Unit (MSRP)	One Unit	Total % Savings	Total Savings
Contract Price	\$52,166.00	\$50,286.87	3.602 %	\$1,879.13
A&K Utility Body	\$21,870.00	\$21,870.00		
+ Handling \$1900.00				
Tax (0.0000 %)		\$0.00		
Tire fee		\$0.00		
Total		\$72,156.87		

- per the attached specifications.

This vehicle(s) is available under the **Sourcewell Contract 091521-NAF** . Please reference this Contract number on all purchase orders to National Auto Fleet Group. Payment terms are Net 20 days after receipt of vehicle.

Thank you in advance for your consideration. Should you have any questions, please do not hesitate to call.

Sincerely,

Jesse Cooper  
Account Manager  
Email: Fleet@NationalAutoFleetGroup.com  
Office: (855) 289-6572  
Fax: (831) 480-8497

Quoting Department  
Account Manager  
Fleet@NationalAutoFleetGroup.com  
(855) 289-6572



GMC

A&K EQUIPMENT COMPANY INC.  
 221 WESCOTT DRIVE  
 RAHWAY, NJ 07065  
 732-388-5333 Fax: 732-388-1937  
 THANK YOU FOR THE BUSINESS

Quote #: 6/2/2023  
 Page: 26844  
 1

Quoted To:  
 NATIONAL AUTO FLEET  
 490 AUTO CENTER DRIVE  
 Watsonville, CA 95076  
 USA

Phone: 855-289-6572

Cust PO:

Terms: NET 30

Salesperson: CM

Reference:

Ship Via: TBD

Valid Through: 6/12/2023

Stock Code	Description	Quantity	List	Price	Extended
CST98VVS-48.5	CST98VVS-48.5 UTILITY BODY	1.00		7,367.00	7,367.00
230165	""RECESSED PUNCHED BUMPER -79"" ""	1.00		0.00	0.00
230523	""UNDER 80"" LED LIGHT KIT SERVICE BODY REAR END PANELS""	1.00		0.00	0.00
234924	ADAPTER PLUG 2020 GM	1.00		0.00	0.00
235011	CST Fender Panel Kit with Curbside and Streetside Fender having no cutouts or fuel fills	1.00		0.00	0.00
234921	BRKT MOUNT KIT 2020 GM SRW	1.00		0.00	0.00
222832	SPRAY LINE LOADSPACE FLOOR, WALLS, BULKHEAD, INSIDE TAILGATE AND COMPARTMENT TOPS	1.00	1,295.18	1,113.00	1,113.00
201194	BAR LOCK ASM 98 & 110 V SIDE	1.00		735.00	735.00
234347	LED STRIP LIGHT KIT	1.00	1,342.77	1,125.00	1,125.00
223408	TIE DOWN RING KIT (4) TIE DOWNS RINGS INSTALLED IN LOADSPACE FLOOR	1.00	432.00	425.00	425.00
BCR	BACK UP CAMERA RELOCATION	1.00		150.00	150.00
STROBE KIT	STROBE KIT	1.00		3,995.00	3,995.00
>ED3701A ECC	"Directional LED: Surface mount, 13 flash patterns, 12-24VDC, amber"	8.00			
>3702-BKBZ ECC	"Mounting Bezel: 3701/3702 Series Directional LEDs, black"	8.00			
>ALGT53JZ-AMBR3H6	53" ALEGIANT AMBER LIGHTBAR	1.00			
>Z858303641A	module , serial interface, convegence	1.00			
>Z8653178-2	HD FLT MNT DOUBLE	1.00			
510 ECC	"Alarm: Back-up, 97dB, 12VDC"	1.00		125.00	125.00
18SBL	18" SERVICE BODY RACK W/ LIGHTS	1.00	860.83	845.00	845.00
RM62000 BUY	"HITCH,COMB,RCVR MT,RM6,6TON,W/2inBALL"	1.00	182.10	175.00	175.00
MISC	MISC. PARTS GM UPFITTER SWITCH WIRE	1.00		150.00	150.00
5231112 BUY	"STEP, FLEXIBLE, 12 WIDTH"	2.00		325.00	650.00
B239916AL BUY	"HANDLE,GRAB,FLAT ALUMINUM,1/2inX16-1/2in"	2.00		25.00	50.00
DZ153015	Running Board; Rough Step	1.00		675.00	675.00
DZ15340	19-C SILVERADO/SIERRA 1500 ROUGH STEP BRACKET KIT ONLY	1.00		0.00	0.00
560120	TOOL DRAWER UNIT 3-3", 1-4" AND 1-5" DRAWER RED IN COLOR	1.00	1,320.95	1,175.00	1,175.00
36261	6" X 6" ANGLED MOUNT LIGHT BRACKET	1.00	47.86	45.00	45.00
20514GT	LED PERMANENT MOUNT GO LIGHT BLACK WIRELESS REMOTE	1.00		795.00	795.00
PDI	PDI VEHICLE	1.00		125.00	125.00
PD ADR	PICK UP AND DELIVERY	1.00		250.00	250.00

A&K EQUIPMENT COMPANY INC.  
 221 WESCOTT DRIVE  
 RAHWAY, NJ 07065  
 732-388-5333 Fax: 732-388-1937  
 THANK YOU FOR THE BUSINESS

6/2/2023  
 Quote #: 26844  
 Page: 2

Quoted To:  
 NATIONAL AUTO FLEET  
 490 AUTO CENTER DRIVE  
 Watsonville, CA 95076  
 USA

Phone: 855-289-6572

Cust PO:

Terms: NET 30

Salesperson: CM

Reference:

Ship Via: TBD

Valid Through: 6/12/2023

Stock Code	Description	Quantity	List	Price	Extended
	2024 CHEVROLET 2500 REG CAB PICK UP 8' BED DELETE INSTALL STAHL 8' UTILITY BODY POWDER COATED WHITE RECESSED PUNCHED REAR BUMPER LED STT & BU LIGHTS SPRAY LINE LOADPACE FLOOR, WALLS, BULKHEAD, INSIDE TAILGATE AND COMPARTMENT TOPS MASTER LOCKING INTERIOR LED COMPARTMENT LIGHTS 4 RECESSED D-RINGS IN FLOOR RELOCATE FACTORY BACK UP CAMERA INSTALL BACK UP ALARM INSTALL WINDOW GUARD INSTALL AMBER LED STROBE KIT ( 4 IN GRILLE, 2 REAR OF BODY , 1 EACH SIDE OVER WHEEL WELL) INSTALL FEDERAL SIGNAL 53" AMBER LED LIGHTBAR WITH ALLEY, TAKEDOWN AND BUILT IN TRAFFIC ADVISOR ON WINDOW GUARD) PROVIDE 2' COMBO DRAWBAR WIRE GM FACTORY UPFITTER SWITCHES INSTALL FLEXIBLE STEPS UNDER BUMPER ON EACH SIDE WITH GRAB HANDLE MOUNTED TO REAR BODY PANEL INSTALL STEEL GRIP STRUT RUNNING BOARDS INSTALL CTECH TOOL DRAWER IN C/S FRONT COMPARTMENT ( 3-3", 1-4" AND 1-5" DRAWER RED IN COLOR) INSTALL LED GO LIGHT ON P/S OF WINDOW GUARD WITH WIRELESS CONTROLLER PDI VEHICLE  DELIVER TO  CITY OF VINELAND				

SubTotal: 19,970.00  
 Tax: 0.00  
 Shipping: 0.00  
 Total: 19,970.00

NO RETURNS ON ELECTRICAL ITEMS  
 PRIOR AUTHORIZATION NEEDED FOR RETURNS & RETURNS SUBJECT TO A 15% RESTOCKING FEE  
 PRICES SUBJECT TO CHANGE WITHOUT NOTICE

## Vehicle Configuration Options

EMISSIONS	
Code	Description
FE9	Emissions, Federal requirements
ENGINE	
Code	Description
L8T	Engine, 6.6L V8, (STD)
TRANSMISSION	
Code	Description
MKM	Transmission, Allison 10-Speed automatic, (STD)
AXLE	
Code	Description
GT4	Rear axle, 3.73 ratio
PREFERRED EQUIPMENT GROUP	
Code	Description
1WT	Work Truck Preferred Equipment Group, includes standard equipment
WHEELS	
Code	Description
PYN	Wheels, 17" (43.2 cm) painted steel, Silver, (STD)
TIRES	
Code	Description
QHQ	Tires, LT245/75R17E all-season, blackwall, (STD)
SPARE TIRE	
Code	Description
ZHQ	Tire, spare LT245/75R17E all-season, blackwall, (STD)
PAINT	
Code	Description
GAZ	Summit White
SEAT TYPE	
Code	Description

AZ3	Seats, front 40/20/40 split-bench, (STD)
<b>SEAT TRIM</b>	
<b>Code</b>	<b>Description</b>
H2G	Jet Black, Vinyl seat trim
<b>RADIO</b>	
<b>Code</b>	<b>Description</b>
IOR	Audio system, Chevrolet Infotainment 3 system, (STD)
<b>ADDITIONAL EQUIPMENT</b>	
<b>Code</b>	<b>Description</b>
ZLQ	WT Fleet Convenience Package, includes (UD7) Rear Park Assist, (QT5) EZ Lift power lock and release tailgate and (DBG) outside power-adjustable vertical trairling with heated upper glass
VYU	Snow Plow Prep/Camper Package, includes (KW5) 220-amp alternator, includes increased front GAWR on Heavy Duty models, (NZZ) skid plates (transfer case and oil pan), pass through dash grommet hole and roof emergency light provisions.
KW5	Alternator, 220 amps
JL1	Trailer brake controller, integrated
NZZ	Skid Plates, protect the oil pan, front axle and transfer case
___	Capped Fuel Fill
9J4	Bumper, rear, delete
DBG	Mirrors, outside power-adjustable vertical trairling, with heated upper glass, lower convex mirrors, integrated turn signals, manual folding/extending (extends 3.31" [84.25mm])
9L7	Upfitter switch kit, (5), Provides 3-30 amp and 2-20 amp configurable circuits to facilitate installation of aftermarket electrical accessories.
8S3	Back-up alarm, 97 decibels
5N5	Rear Camera Kit, Kit includes camera, fixed position bracket & 19 ft cable with attachment clips. Rear camera radio calibration provided from the factory. See Upfitter Integration Bulletin for installation instructions at <a href="http://www.gmupfitter.com">www.gmupfitter.com</a>
<b>BODY CODE</b>	
<b>Code</b>	<b>Description</b>
ZW9	Pickup bed, delete, includes capped fuel fill, (SFW) Back-up alarm calibration, (9J4) rear bumper delete, (9L3) spare tire delete and spare tire carrier delete.
<b>GVWR</b>	
<b>Code</b>	<b>Description</b>
JGF	GVWR, 10,650 lbs. (4831 kg), (STD)

# 2024 Fleet/Non-Retail Chevrolet Silverado 2500HD 4WD Crew Cab 172" Work Truck 8.2' Box

## WINDOW STICKER

2024 Chevrolet Silverado 2500HD 4WD Crew Cab 172" Work Truck 8.2'  
Box

CODE	MODEL	MSRP
CK20943	2024 Chevrolet Silverado 2500HD 4WD Crew Cab 172" Work Truck 8.2' Box	\$49,900.00
<b>OPTIONS</b>		
FE9	Emissions, Federal requirements	\$0.00
L8T	Engine, 6.6L V8, (STD)	\$0.00
MKM	Transmission, Allison 10-Speed automatic, (STD)	\$0.00
GT4	Rear axle, 3.73 ratio	\$0.00
1WT	Work Truck Preferred Equipment Group, includes standard equipment	\$0.00
PYN	Wheels, 17" (43.2 cm) painted steel, Silver, (STD)	\$0.00
QHQ	Tires, LT245/75R17E all-season, blackwall, (STD)	\$0.00
ZHQ	Tire, spare LT245/75R17E all-season, blackwall, (STD)	\$380.00
GAZ	Summit White	\$0.00
AZ3	Seats, front 40/20/40 split-bench, (STD)	\$0.00
H2G	Jet Black, Vinyl seat trim	\$0.00
IOR	Audio system, Chevrolet Infotainment 3 system, (STD)	\$0.00
ZLQ	WT Fleet Convenience Package, includes (UD7) Rear Park Assist, (QT5) EZ Lift power lock and release tailgate and (DBG) outside power-adjustable vertical trailering with heated upper glass	\$210.00
VYU	Snow Plow Prep/Camper Package, includes (KW5) 220-amp alternator, includes increased front GAWR on Heavy Duty models, (NZZ) skid plates (transfer case and oil pan), pass through dash grommet hole and roof emergency light provisions.	\$300.00
KW5	Alternator, 220 amps	INC
JL1	Trailer brake controller, integrated	\$275.00
NZZ	Skid Plates, protect the oil pan, front axle and transfer case	INC
—	Capped Fuel Fill	INC
9J4	Bumper, rear, delete	INC
DBG	Mirrors, outside power-adjustable vertical trailering, with heated upper glass, lower convex mirrors, integrated turn signals, manual folding/extending (extends 3.31" [84.25mm])	INC
9L7	Upfitter switch kit, (5), Provides 3-30 amp and 2-20 amp configurable circuits to facilitate installation of aftermarket electrical accessories.	\$150.00
8S3	Back-up alarm, 97 decibels	\$138.00
5N5	Rear Camera Kit, Kit includes camera, fixed position bracket & 19 ft cable with attachment clips. Rear camera radio calibration provided from the factory. See Upfitter Integration Bulletin for installation instructions at www.gmupfitter.com	\$73.00
ZW9	Pickup bed, delete, includes capped fuel fill, (SFW) Back-up alarm calibration, (9J4) rear bumper delete, (9L3) spare tire delete and spare tire carrier delete.	(\$1,155.00)



JGF	GVWR, 10,650 lbs. (4831 kg), (STD)	\$0.00
-----	------------------------------------	--------

Please note selected options override standard equipment

<b>SUBTOTAL</b>	<b>\$50,271.00</b>
-----------------	--------------------

Advert/ Adjustments	\$0.00
---------------------	--------

Manufacturer Destination Charge	\$1,895.00
---------------------------------	------------

<b>TOTAL PRICE</b>	<b>\$52,166.00</b>
--------------------	--------------------

Est City: N/A MPG  
Est Highway: N/A MPG  
Est Highway Cruising Range: N/A mi

Any performance-related calculations are offered solely as guidelines. Actual unit performance will depend on your operating conditions.

### Notes


## Standard Equipment

### MECHANICAL

Engine, 6.6L V8 with Direct Injection and Variable Valve Timing, gasoline, (401 hp [299 kW] @ 5200 rpm, 464 lb-ft of torque [629 N-m] @ 4000 rpm) (STD)
Transmission, Allison 10-Speed automatic (STD) (Standard with (L8T) 6.6L V8 gas engine.)
Rear axle, 3.73 ratio (Requires (L8T) 6.6L V8 gas engine. Not available with (L5P) Duramax 6.6L Turbo-Diesel V8 engine.)
Durabed, pickup bed (STD)
GVWR, 10,650 lbs. (4831 kg) (STD) (Included and only available with CK20903 model and (L8T) 6.6L V8 gas engine with 18" or 20" wheels or CK20943 and (L8T) 6.6L V8 gas engine with 17" wheels.)

### EXTERIOR

Wheels, 17" (43.2 cm) painted steel, Silver (STD)
Tires, LT245/75R17E all-season, blackwall (STD)
Tire, spare LT245/75R17E all-season, blackwall (STD) (Included and only available with (QHJ) LT245/75R17E all-season, blackwall tires with (E63) Durabed, pickup bed. Available to order when (ZW9) pickup bed delete and (QHJ) LT245/75R17E all-season, blackwall tires are ordered.)

### ENTERTAINMENT

Audio system, Chevrolet Infotainment 3 system 7" diagonal HD color touchscreen, AM/FM stereo, Bluetooth audio streaming for 2 active devices, voice command pass-through to phone, Wireless Apple CarPlay and Wireless Android Auto compatibility (STD)
---

### INTERIOR

Seats, front 40/20/40 split-bench with covered armrest storage and under-seat storage (lockable) (STD)
--

### ADDITIONAL EQUIPMENT

Trailer Package includes trailer hitch, 7-pin connector and (CTT) Hitch Guidance (Deleted when (ZW9) pickup bed delete is ordered.)
Push Button Start
Air filter, heavy-duty
Air filtration monitoring
Transfer case, two-speed electronic shift with push button controls (Requires 4WD models.)
Auto-locking rear differential
Four wheel drive
Cooling, external engine oil cooler
Cooling, auxiliary external transmission oil cooler

Battery, heavy-duty 720 cold-cranking amps/80 Amp-hr maintenance-free with rundown protection and retained accessory power (Included and only available with (L8T) 6.6L V8 gas engine.)
Alternator, 170 amps (Requires (L8T) 6.6L V8 gas engine.)
Frame, fully-boxed, hydroformed front section and a fully-boxed stamped rear section
Recovery hooks, front, frame-mounted, Black
Suspension Package
Steering, Recirculating Ball with smart flow power steering system
Brakes, 4-wheel antilock, 4-wheel disc with DURALIFE rotors
Brake lining wear indicator
Capless Fuel Fill (Requires (L8T) 6.6L V8 gas engine. Not available with (ZW9) pickup bed delete.)
Exhaust, single, side
Tire carrier lock keyed cylinder lock that utilizes same key as ignition and door (Deleted with (ZW9) pickup bed delete.)
Bumpers, front, Black
Bumpers, rear, Black
CornerStep, rear bumper
BedStep, Black integrated on forward portion of bed on driver and passenger side (Deleted when (ZW9) pickup bed delete is ordered.)
Moldings, beltline, Black
Cargo tie downs (12), fixed rated at 500 lbs per corner (Deleted with (ZW9) pickup bed delete.)
Headlamps, halogen reflector with halogen Daytime Running Lamps
IntelliBeam, automatic high beam on/off
Taillamps with incandescent tail, stop and reverse lights
Lamps, cargo area, cab mounted integrated with center high mount stop lamp, with switch in bank on left side of steering wheel
Mirrors, outside high-visibility vertical trailering lower convex mirrors, manual-folding/extending (extends 3.31" [84.25mm]), molded in Black (Not included on Regular Cab models.)
Mirror caps, Black
Glass, solar absorbing, tinted
Tailgate, standard (Deleted with (ZW9) pickup bed delete.)
Tailgate and bed rail protection cap, top
Tailgate, locking, utilizes same key as ignition and door (Upgraded to (QT5) EZ Lift power lock and release tailgate when (PCV) WT Convenience Package or (ZLQ) WT Fleet Convenience Package is ordered. Not available with (ZW9) pickup bed delete.)
Tailgate, gate function manual, no EZ Lift (Deleted with (ZW9) pickup bed delete.)
Door handles, Black grained
Audio system feature, 6-speaker system (Requires Crew Cab or Double Cab model.)
Wireless phone projection for Apple CarPlay and Android Auto
Bluetooth for phone connectivity to vehicle infotainment system
Wi-Fi Hotspot capable (Terms and limitations apply. See onstar.com or dealer for details.)
Vinyl seat trim
Seat adjuster, driver 4-way manual

Seat adjuster, passenger 4-way manual
Seat, rear 60/40 folding bench (folds up), 3-passenger (includes child seat top tether anchor) (Requires Crew Cab or Double Cab model.)
Floor covering, rubberized-vinyl (Not available with LPO floor liners.)
Steering wheel, urethane
Instrument cluster 6-gauge cluster featuring speedometer, fuel level, engine temperature, tachometer, voltage and oil pressure
Driver Information Center, 3.5" diagonal monochromatic display
Exterior Temperature Display located in radio display
Compass located in instrument cluster
Rear Seat Reminder (Requires Crew Cab or Double Cab model.)
Window, power front, drivers express up/down
Window, power front, passenger express down
Windows, power rear, express down (Not available with Regular Cab models.)
Door locks, power
Remote Keyless Entry with 2 transmitters
USB Ports, 2, Charge/Data ports located on instrument panel
Power outlet, front auxiliary, 12-volt
Air conditioning, single-zone
Air vents, rear, heating/cooling (Not available on Regular Cab models.)
Mirror, inside rearview, manual tilt
Assist handles front A-pillar mounted for driver and passenger, rear B-pillar mounted
Chevrolet Connected Access capable (Subject to terms. See onstar.com or dealer for details.)
Automatic Emergency Braking
Front Pedestrian Braking
StabiliTrak stability control system with Proactive Roll Avoidance and traction control, includes electronic trailer sway control and hill start assist
Daytime Running Lamps with automatic exterior lamp control
Airbags, Dual-stage frontal airbags for driver and front outboard passenger; Seat-mounted side-impact airbags for driver and front outboard passenger; Head-curtain airbags for front and rear outboard seating positions; Includes front outboard Passenger Sensing System for frontal outboard passenger airbag (Always use seat belts and child restraints. Children are safer when properly secured in a rear seat in the appropriate child restraint. See the Owner's Manual for more information.)
OnStar and Chevrolet connected services capable (Terms and limitations apply. See onstar.com or dealer for details.)
HD Rear Vision Camera (Deleted when (ZW9) pickup bed delete is ordered.)
Hitch Guidance dynamic single line to aid in trailer alignment for hitching (Deleted with (ZW9) pickup bed delete.)
Lane Departure Warning
Following Distance Indicator
Forward Collision Alert
Seat Belt Adjustable Guide Loops, front row only (Included and only available on Crew Cab and Double Cab models.)

Buckle to Drive prevents vehicle from being shifted out of Park until driver seat belt is fastened; times out after 20 seconds and encourages seat belt use, can be turned on and off in Settings menu

Rear Seat Belt Indicator (Requires Crew Cab or Double Cab model.)

Teen Driver a configurable feature that lets you activate customizable vehicle settings associated with a key fob, to help encourage safe driving behavior. It can limit certain available vehicle features, and it prevents certain safety systems from being turned off. An in-vehicle report card gives you information on driving habits and helps you to continue to coach your new driver

Tire Pressure Monitoring System

3 Years of Remote Access. The Remote Access Plan gives you simplified remote control of your properly equipped vehicle and unlocks a variety of great features in your myChevrolet mobile app. See dealer for details. (Remote Access Plan does not include emergency or security services. See onstar.com for details and limitations. Available on select Apple and Android devices. Service availability, features and functionality vary by vehicle, device, and the plan you are enrolled in. Terms apply. Device data connection required.)

Trailer Information Label provides max trailer ratings for tongue weight, conventional, gooseneck and 5th wheel trailering (Not available with (ZW9) pickup bed delete.)

**REQUEST FOR RESOLUTION  
FOR COOPERATIVE CONTRACT AWARDS  
UNDER 40A:11-12, N.J.A.C. 5:34-7.29 & LFN 2012-10  
(REQUIRED FOR PURCHASES OVER \$17,500.00)**

6/2/23  
(DATE)



1. Goods or Services (detailed description): (1) NEW 1075 RECON PACKAGE BODY FOR FIRE DEPARTMENT  
NEW RECON 6

2. Amount to be Awarded: \$176,070.00

- Encumber Total Award  
 Encumber by Supplemental Release

3. Budgeted: By Ordinance No. \_\_\_\_\_  
Or Grant: Title & Year \_\_\_\_\_

4. \*\*Account Number to be Charged: C-04-00-000-2119-78012 (\$107,568.95) 3-01-44-905-5503-20001(\$68,501.05)

5. Contract Period (if applicable): \_\_\_\_\_

6. Date to be Awarded: 6/27/23

7. Recommended Vendor and Address: NATIONAL AUTO FLEET GROUP  
490 AUTO CENTER DRIVE, WATSONVILLE, CA, 95076

8. Justification for Vendor Recommendation:(attach add'l information for Council review)  
\_\_\_\_\_  
\_\_\_\_\_  
\_\_\_\_\_

Type of Contract:  State  National  Regional  County

Vendor's Cooperative Contract # SOURCEWELL CONTRACT 091521-NAF

9. Evaluation Performed by: JEFF CELEBRE

10. Approved by: \_\_\_\_\_ Date \_\_\_\_\_

11. Attachments:  
 Awarding Proposal  
 Other: \_\_\_\_\_

- Send Original to: Purchasing Department
- Send copies to: Business Administration *(signature)*

\*\*If more than one account #, provide break down



# National Auto Fleet Group

A Division of Chevrolet of Watsonville

490 Auto Center Drive, Watsonville, CA 95076

(855) 289-6572 • (831) 480-8497 Fax

Fleet@NationalAutoFleetGroup.com

05/31/2023

Quote ID#8851NC

Jeff Celebre  
City of Vineland  
640 E. Wood St.  
Vineland, NJ 08360

Dear Jeff Celebre.

National Auto Fleet Group is pleased to quote the following sourced(s) for your consideration.  
**One (1) New/Unused (H.A. DeHart & Son's Equipment (Mounted on Factory Order #8734)  
+ \$5,000.00 in Handling),** delivered to your department yard, each for

	(1) One Unit
Price + \$5,000.00 Handling	\$ 176,070.00
Tax (0.00%)	\$ 0.00
<b>Total</b>	<b>\$ 176,070.00</b>

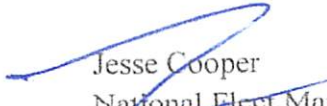
-per your attached specifications:

This sourced(s) is available under the **Sourcewell 091521-NAF**. Please reference this Contract Number on all Purchase Orders to National Auto Fleet Group.

Payment terms are Net 20 days after receipt of vehicle.

Thank you in advance for your consideration. Should you have any questions, please do not hesitate to call.

Sincerely,

  
Jesse Cooper  
National Fleet Manager  
Office (855) 289-6572





May 22, 2023

National Auto Fleet  
Attn: Neil Carrol

End User: City of Vineland Fire Department  
Attn:

**QUOTE**

Ref: National Auto Fleet Chassis Quote # 22329  
\*\* Please add this under Chassis Sourcewell Quote

One New 1075 Recon Package

Section 1: General Information  
Vehicle 2023 International Model CV 4x4 84" Crew Cab  
Color: Race Red  
Supplied by: Customer  
AM20DDB06

Section 2: Roof Lighting  
(1) SO-ENNLB 54" Soundoff Signal NForce NXT 54" Lightbar  
54"/137cm 9-32 VOLT NFORCE NXT LED LIGHTBAR W/ 15' LIN DSC TECHNOLOGY  
/D24/D12/D12/D12/D12/D12/D12/D12/D12/D24\  
/R\_W/R\_W/R\_W/R\_W/R\_W/R\_W/R\_W/R\_W/R\_W\  
|D06|--GRT--|GRT|--GRT---|--GRT---|O-GRT--|D06|  
|R\_W|--CLR--|CLR|--CLR---|--CLR---|O-CLR--|R\_W|  
D24\|D12\|D12\|D12\|D12\|D12\|D12\|D12\|D24/  
R\_W|R\_A|R\_A|R\_A|R\_A|R\_A|R\_A|R\_A/R\_W/  
Domes - Polycarb [D|6|12|12|P]  
Accessories - PNFLBSPLT1, AUTO-DIM  
Mount - Extra Low Fixed Height Mount (PNFLBK10)  
Hook - NONE  
QSF001967

(6) SO-EMPSCG2STS5RAW Soundoff Signal mPOWER 4", 3-Wire Data, Stud Mount, mPOWER Arrow  
Kit/Connect-n-Go, Black Housing, 18 LED Red/Amber/White  
Mounted rear upper body  
R Flashing  
Amber arrow only  
White on with reverse  
White on with rear scene



Section 3: Emergency Lighting and Signals

(4) SO-EMPSCG2SMS4D Soundoff Signal mPOWER 4", 3-Wire Data, Screw Mount, for mPOWER Arrow Kit/Connect-n-Go,  
Black Housing,  
12 LED, Red/White  
Mounted grill  
White flashing off in park White on with take down

(4) SO-PMP8BZL01B Sound off Signal Black 4" Bezel

(1) SO-ETHFSS-NYPD-75 Sound Off Signal Isolation Headlight Flasher, (for systems requiring electrical isolation)

4 ft Matting Harness & Weatherproof Connectors

Off in park

(2) SO-EMPSCG2SMS4D -Soundoff Signal mPOWER 4", 3-Wire Data, Screw Mount, for mPOWER Arrow Kit/Connect-n-Go, Black Housing, 12 LED, Red/White

Mounted front fendor, side

White flashing off in park White on with alley

Soundoff Signal Black 4" Bezel

(2) SO-PMP8BZL01B Soundoff Signal mPOWER 7x3, Silicone Lens, Screw Mount, 24 LED Dual Color Red/White

Mounted Rear fendor, side

White flashing off in park

White on with alley

(2) SO-PMP8BZL01B Soundoff Signal mPower 7x3 Lights Black Single Bezel

(4) SO-EMPSC07M9-D Soundoff Signal mPOWER 7x3, Silicone Lens, Screw Mount, 24 LED Dual Color Red/White

Mounted upper sides of body, 2 per side

White flashing off in park

White on with alley

(4) SO-PMP8BZL01B Sound off Signal mPOWER 7x3 Lights Single Bezel

(2) SO-EMPSC07MB-5 Soundoff Signal mPOWER 7x3, Silicone Lens, Screw Mount, 36 LED Tri Color Red/Amber/White

Mounted upper rear body

White on with reverse

White on with rear scene

(2) SO-PMP8BZL01B Sound Off mPower 7x3 Lights Black Single Bezel

(2) SO-EMPSB0C99-5 Soundoff Signal mPOWER 6x4 Warning Light, Screw Mount, Clear Housing/Lens, 36 LEDs, Red/Amber/White

Mounted in Quad Bezel

Flash RA

White on reverse

White on rear scene

(2) SO-EMPSB0C9B-R Soundoff Signal mPOWER 6X4 Stop/Tail & Turn Light, Screw Mount, Clear

(2) SO-EMPSB0C9C-A Housing/Lens, 20 LED Red

Soundoff Signal mPOWER 6X4 Turn, Screw Mount, Clear Housing/Lens, 20 LED

(2) SO-EMPSB0C9A-W Amber

Soundoff Signal mPOWER 6X4 Reverse Light, Screw Mount, Clear Housing/Lens, 18

(2) SO-PMP7BZL14B LED White

Soundoff Signal Black Quad Bezel for (4) mpower 6x4 Lights

Section 4: Audible Warning

(1) SO-bluePRINT

(1) SO-ENGSA5200RSR Soundoff Signal bluePRINT 500 series, Remote Knob 200 Watt Siren

(5) SO-ENGND04101 Sound Off Signal bluePRINT Remote Node

(1) SO-PUVBBJ00 Soundoff Signal UNIVERSAL LIN BREAKOUT BOX ASSY

- (1) IM-A-AIM605-B Intermotive Ambulance Interface, International CV (2020)
- (1) SO-ENGSYMD01 Soundoff Signal bluePRINT Sync 1.0
- (1) 10-75-BKT-BP-GMT-FN 10-75 Soundoff Signal bluePRINT Front Node Mounting Bracket
- (6) 3-wire-harn 3 wire Soundoff mPOWER wire harness adapter. 1 per pair of lights
- (2) SO-ETSS100J5 Sound Off Signal 100J Speaker (5 Year warranty)
- (1) SO-Aftershock SO-ETSKLF100 Soundoff Signal LF Aftershock Siren System, 100 watt speaker, amplifier and universal bracket
- Soundoff Signal Aftershock Low Frequency Siren System
- (1) ECCO-510 ECCO 510 Backup Alarm
- (3) FT-CU-HD36-B Section 5: Scene & Interior Work Lighting
- FireTech 36" HD compartment strip light. Black housing, White LEDs
- Mounted D/P1
- (8) FT-CU-HD36-B FireTech 36" HD compartment strip light. Black housing, White LEDs
- Mounted 2 per compartment
- D/P2D/P4
- (2) FT-CU-HD36-B FireTech 36" HD compartment strip light. Black housing, White LEDs
- Mounted 1 per compartment
- D/P3
- (9) SWITCH-65985K333 Magnetically Actuated Switch with Wire Leads, Aluminum, SPST-NO, 200V DC, 0.56" Sensing Distance
- (2) FT-CU-HD48 FireTech 48" HD compartment strip light. Black housing.
- Mounted rear bed compartment
- (1) SO-ECVDMLTAL00 Soundoff Signal LED Dome Light, 6" Round, Clear Lens, Red/White LEDs, 10-30v
- Mounted cab headliner
- Wired ignition
- (4) Tecniq-K70-SW00-1 Tecniq-K70-1B00-1 Tecniq K70 High Output Scene Light
- Mounted 2 per side
- On with alley
- On with
- (4) Tecniq-K70-1B00-1 Tecniq K70 Black Trim and Gasket Kit
- (2) Tecniq-K70-SW00-1 Tecniq K70 High Output Scene Light
- Mounted body rear, high
- On with reverse On with rear scene
- (2) Tecniq K70 Black Trim and Gasket Kit
- (12) FT-CU-AQX-B-KIT FireTech Sub-Aqua undercarriage light. Flood optics. Black powder coated mounting bracket.
- On in park
- On in Reverse

**Section 6: Other Vehicle Options:**

- (1) Cabinet-Aluminum
- Remove rear glass to prevent damage
- Replace with aluminum painted to match
- inside grey
- Outside ref
- (1) Misc parts (1) MVAC Underhood Air Compressor System V400021 VR40, Ford 6.7L, F250-F600, 2020+ A900022, Adaptor Kit, VR40, Ford 6.7L, 2020+ A300047 Tank, Air Receiver 10 Gal, C/W FTG Under Body Mounted A700151 Filter, Regulator-Lubricator-Mount in Compartment A700007 Hose Reel, Dressed, ½ x 50 - Mount in Compartment A700263 -200 Hour Service Kit - VR40 A7400314 Kit, Retrofit, VR40 in Interlocks
- (1) LUV415088-401731 Luverne GRIP STEP 7IN RUNNING BOARDS WITH XD BRACKET SYSTEM
- Vehicle-Body-KIT CUR55774
- (1) Curt Mfg US CAR TO 7 WAY ROUND AND 4 WAY FLAT

- (1) CUR56229 Curt Mfg USCAR REPLACEMENT VEHICLE END W/24IN WIRES
- (1) CUR56196 Curt MFG 2 Wire BTT TO 3 Wire Turn and Brake CONVERTER Vehicle Body DOT and Tow Kit

#### Section 7: Vehicle Electrical

##### (1) 10-75 Standard Electrical System

- Provide and install all necessary wiring, connectors, and custom harnesses as required.
- All equipment shall be installed as per the manufacturer's specifications.
- All wiring will be GXL SAE J1128 wire, custom cut, and function printed every 4", and run for the equipment installed
- All wiring shall be separate and isolated from the vehicles electrical system and shall not utilize the vehicles factory wiring harness.
- Wiring will be covered in black split loom with a gray stripe to identify it from the factory wiring harness, and will be rated up to 257 degrees Fahrenheit

(1) 1st In-EC-FSD-CC-P Electronics Compartment Ford F Super Duty Series Crew Cab, No Inverter, HDPE

(1) KUS-091-55-20-120-RD Kussmaul Super Auto Eject 20A, Red Cover

(1) Inverter-806-1840 Xantrex Freedom HF 1800 Power Inverter, built in battery charger, 30 amp transfer switch

(1) BS-8097 BLUE SEA AC 6 POSITION CIRCUIT BREAKER PANEL - WHITE SWITCHES

Circuit 1: Battery Charger

Circuit 2: Drivers side Compartments Circuit 3: Passenger Side Compartments Circuit 4:

Circuit 5:

Circuit 6:

(9) OUTLET 110V Duplex 15 Amp 125 Volt Duplex Receptacle, cover and plastic box

(1) PS-615-HG-OEM Mounted 1 per compartment

Tripp Lite Medical-Grade Power Strip, 6 15A Hospital-Grade Outlets, 15ft. Cord, UL 1363A

Mounted drivers side rear compartment

(9) BS-5032 Blue Sea 12 Circuit Split Bus Fuse Block with Ground and Cover

Mounted 1 per compartment

#### Section 8: Communications

Install (2) customer supplied single head radios. Customer to supply antennas

(2) Antenna Cable

(2) ANTENNA-332348 Pctel zinc die cast, 3/4" hole mount, high performance, water resistant, for frequencies up to 3 GHz, 17' Pro-FLEX Plus 195 cable. No connector

Terminate at mini-uhf male, RG58, 141

Terminate at: Please Specify

(2) Speaker Flush Motorola 1st In-RSB-M

Motorola Speaker Mounting Bracket

(2) M-HSN4032 Motorola HSN4032 external speaker.

Flush Mount Motorola Radio Speaker to Headliner

#### Section 9: Front Console

##### 10-75-Console

Console: Custom center console. Console features a recessed black HDPE equipment mounting location

(1) CUP-1 HDPE Dual Internal Cup Holder, with pen holders

(1) BS-1011 Blue Sea Systems 12 Volt Dash Socket

(1) BS 1016 Blue Sea Systems Dual USB Charger Socket

(1) Tecniq-D14-D000-1 Tecniq Dragon Light Oval Body Deep Red - 9"

Wire Flashing Compartment and Door Open Indicator

(3) MMSU-1 Magnetic Mic Single Unit

(1) Hint-TA-2505-SMP Hint Twin Arm Mount with G.R.I.P. Tilt/Swivel and Telescopic Post Centered on Side Mounting Plate

Customer supplied dock

Section 10: Rear Body

(1) vehicle-Body-FRV-9AF Fast Response Vehicle

WAB-17168 0

WILCOX MODEL WAB134D52 ALUMINUM RESCUE BODY

(TO FIT 84"CA DUAL REAR WHEEL CHASSIS CAB)

2023 INTERNATIONAL CV 4X4 CAB AND CHASSIS

OVERALL DIMENSIONS

134"LONG X 96"WIDE BODY

60"HIGH X 22"DEEP COMPARTMENTS

SUBFRAME/FLOOR 52"W X 134"L

ALUMINUM PLANK FLOORING

STRUCTURAL ALUMINUM SUBFRAME

COMPARTMENTS

.125" ALUMINUM COMPARTMENT SIDES, TOPS AND BOTTOMS

.125 ALUMINUM CHECKERPLATE HEADBOARD, AND FRONT ROCK GUARDS

WILCOX STANDARD ALUMINUM REMOVABLE WHEEL PANELS

FIXED ROOF

.125 FIXED ALUMINUM SMOOTH ROOF C/W REAR HEADER PAINTED RACE RED

DOORS

WILCOX STANDARD ALUMINUM DOUBLE PANEL DOORS

3/16" OUTER, .090 INNER PANEL

POLISHED STAINLESS STEEL STRAP HINGES

AUTOMOTIVE BULB-TYPE WEATHER STRIPPING

3PT COMPRESSION LOCKS AND GASKETS (POWER REMOTE LOCKS)

GAS SHOCKS ON VERTICAL DOORS

STANDARD SHELVING PACKAGE 22" DEEP COMPTS

DRIVER SIDE

\* 1ST VERTICAL 36"L: TRANSVERSE COMPARTMENT

HD FIXED SHELF AT FLOOR LEVEL

DUAL DIRECTION SLIDE MASTER PULLOUT SLIDER

ALUMINUM TRAY WITH 3" LIPS ALL 4 SIDES

\* 2ND VERTICAL 24"L: 2 ADJ SHELVES

\* 3RD HORIZONTAL 46"L: FLIPUP DOOR WITH GAS SHOCKS

1 ADJ SHELF

\* 4TH VERTICAL 28"L: 2 ADJ SHELVES

CURBSIDE

\* 1ST VERTICAL 36"L: TRANSVERSE COMPARTMENT

HD FIXED SHELF AT FLOOR LEVEL

DUAL DIRECTION SLIDE MASTER PULLOUT SLIDER

ALUMINUM TRAY WITH 3" LIPS ALL 4 SIDES

\* 2ND VERTICAL 24"L: 2 ADJ SHELVES

\* 3RD HORIZONTAL 46"L: FLIPUP DOOR WITH GAS SHOCKS

1 ADJ SHELF

\* 4TH VERTICAL 28"L: 2 ADJ SHELVES

BUMPER AREA

HEAVY DUTY ALUMINUM WORKBENCH BUMPER

DOORS ON BOTH ENDS OF BUMPER TO ACCESS STORAGE AREA

WILCOX CUSTOM HITCH

7 POLE RV STYLE TRAILER PLUG

PREP AND PAINT

EPOXY PRIMER ONLY AND PPG TOP COAT FORD RACE RED

CUSTOMER TO SPECIFY PAINT CODE AT TIME OF ORDER

COMPARTMENT INTERIORS AND ALUMINUM CHECKERPLATE SURFACES TO REMAIN IN NATURAL ALUMINUM FINISH

ELECTRICAL

LED MARKER LIGHTS ONLY

10-75 EMERGENCY TO LOOK AFTER ALL OTHER LIGHTS

DESIGN TIME ALLOWED FOR EXTRA MOUNTING HOLS IN BODY (TBD)

LED COMPARTMENT LIGHTS

LED STRIP LIGHTING IN BOTH SIDES OF LOAD SPACE

(1) Vehicle-mudflap 10-75 MUD FLAP

(1) Rostra-250-8192BLK

ROSTRA 250-8192BLK 7" TFT LCD WINDSHIELD MOUNT MONITOR WITH HEAVY DUTY

INFRARED CCD COLOR CAMERA

2 VIDEO INPUTS

WIDE VIEWING ANGLE

REVERSE OVERRIDE

49' EXTENSIOH HARNESS

VERSATILE MOUNTING OPTIONS

AUDIO - CAPABLE

SECTION 11: GRAPHICS AND LETTERING

(1) GRAPHICS CUSTOMER REFELCTIVE GRAPHICS AS PER SUPPLIED DRAWING SHALL BE:

-3M SCOTCHLITE PREMUM REFLECTIVE VINYL

-CUSTOM CUT VIA CNC MACHINE

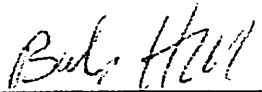
-1 PIECE (NO SEAMS OR OVERLAYING MATERIALS)

Section 12: Warranty

10-75 WARRANTY STANDRD 5 YEAR / 60,000 MILES WARRANTY

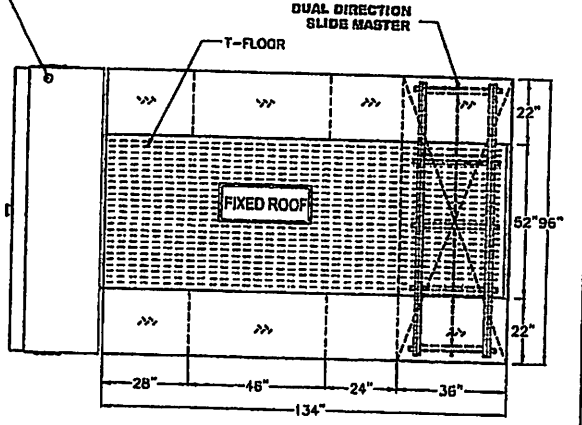
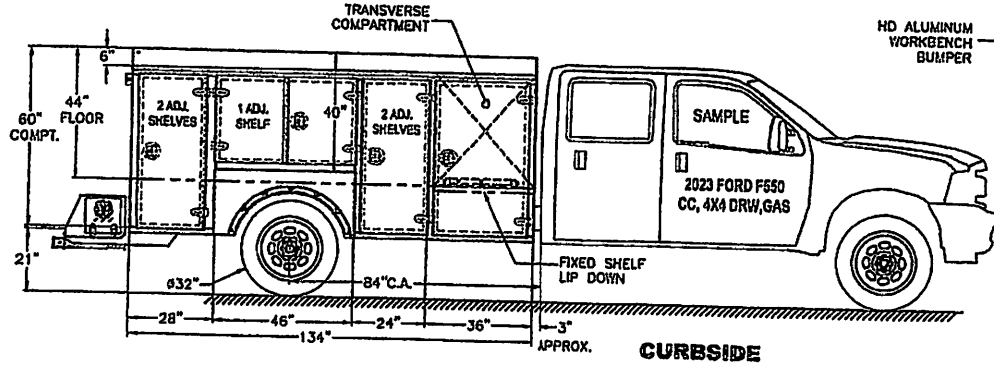
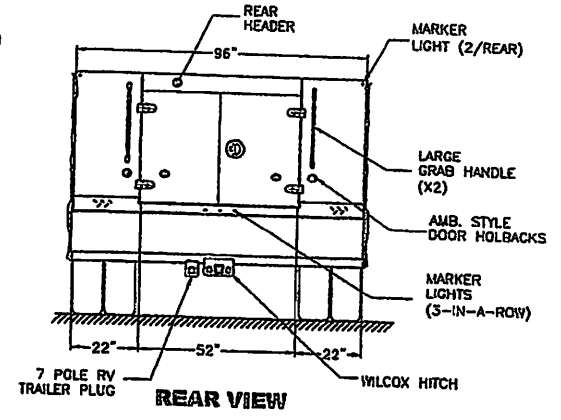
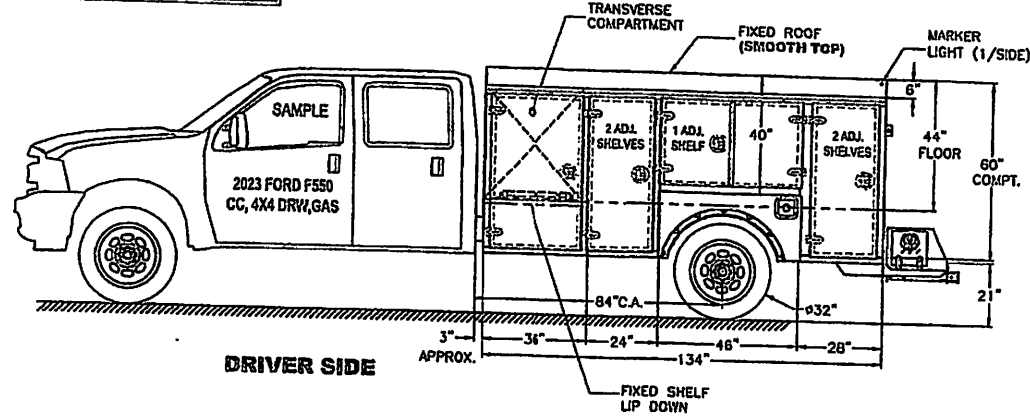
(1) LABOR

\$171,070.00

X   
\_\_\_\_\_  
Bob Hall,  
Vice President  
609-870-6176

BH/rh

**SHIPOUT ALUM. BODY**



**NOTE:**

1. THIS DRAWING IS FOR QUOTATION ONLY
2. ALL DIMENSIONS ARE INCHES & O.D. UNLESS OTHERWISE
3. TOLERANCES ARE +0.000 / -0.003 (1/16)
4. ENGINEERING ARE SUBJECT TO CHANGE

**ELECTRICAL**

- LED OVAL BODY LIGHT KIT TO CMVSS REGULATIONS
- LED ROPE LIGHTING IN ALL COMPARTMENTS
- LED STRIP LIGHTING INSIDE D/S & C/S LOADSPACE

REV	DESCRIPTION	DATE	BY

<p>WILCOX BODIES LTD. DESIGN LTD.</p>	REV #	BY	DATE	CUSTOMER
	0			10-75 EMERGENCY VEHICLES
	QUANTITY	UNIT	DATE	REV #
	1	T.Y.	FEB-07-2023	
	JOB #	JOB #	WAB-17168	DRAWING NAME
	XXXX			WAB134D52 - 60H - ROOF TOP